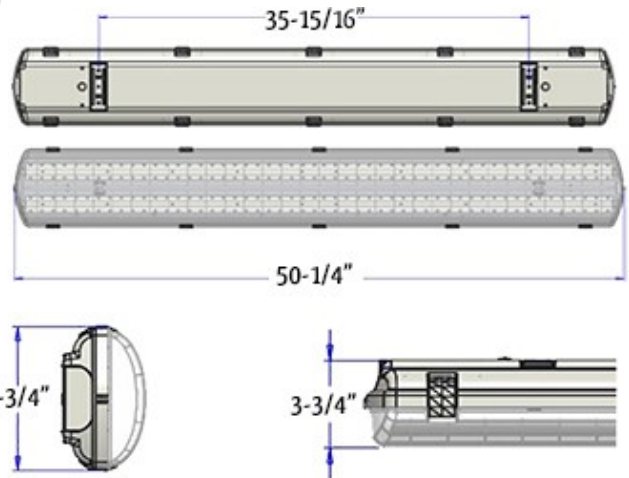




DIMENSIONS:

50-1/4" (L) x 6-3/4" (W) x 3-3/4" (H)



LLVT-4FT-75W-50K-D LLVT-4FT-75W-40K-D

LED LINEAR VAPOR LIGHT

Ideal for workshops, garages, canopies, parking garages, cold storage facilities, food processing facilities, farmyards, and other harsh, humid, dusty and wet environment lighting applications.

ELECTRICAL SPECIFICATIONS:

- Voltage: 120-277VAC 50/60Hz
- Wattage: 75W
- Other wattages: 40W
- Power factor: >0.95
- Efficacy: 125LM/W

MODEL	WATTS	VOLTAGE	LUMENS	COLOR TEMP
LLVT-4FT-75W-50K-D	75W	120~277V AC	9375LM	5000K
LLVT-4FT-75W-40K-D	75W	120~277V AC	9375LM	4000K

HOUSING SPECIFICATIONS:

- Polycarbonate construction is highly impact resistant
- UV-stabilized Polycarbonate diffuser eliminates glare
- Diffuser crystals enhance even light distribution
- (10) Stainless Steel clips evenly seal the luminaire
- Operating temperature: -22°F~104°F
- Lifespan: 50000 Hrs.
- IP rating: Wet Locations

CERTIFICATIONS: UL, DLC



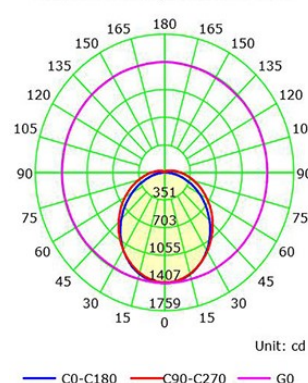
LIGHTING SPECIFICATIONS:

- Dimming: 0~10V dimmable
- LED type/brand: Cree COB
- Total lumens: 9375LM
- Color temperature: 4000K / 5000K
- Color rendering index: >82
- Beam angle: H103.9° & V113.8°

WARRANTY: 5 years

PHOTOMETRICS:

Luminous Intensity Distribution Curve



Illuminance at a Distance

